

用于浸入式加热器、液位传感器或温度传感器的外壳

尺寸 (mm)	体积 (cm ³)	材料	防护等级		型号
78 × 78 × 74	410	铝	IP69K	IK10	Y304 (P1)

适用于

- 温度传感器
- 浸入式加热器
- 翅片式加热器
- 温控器
- 液位传感器
- 电路板



链接



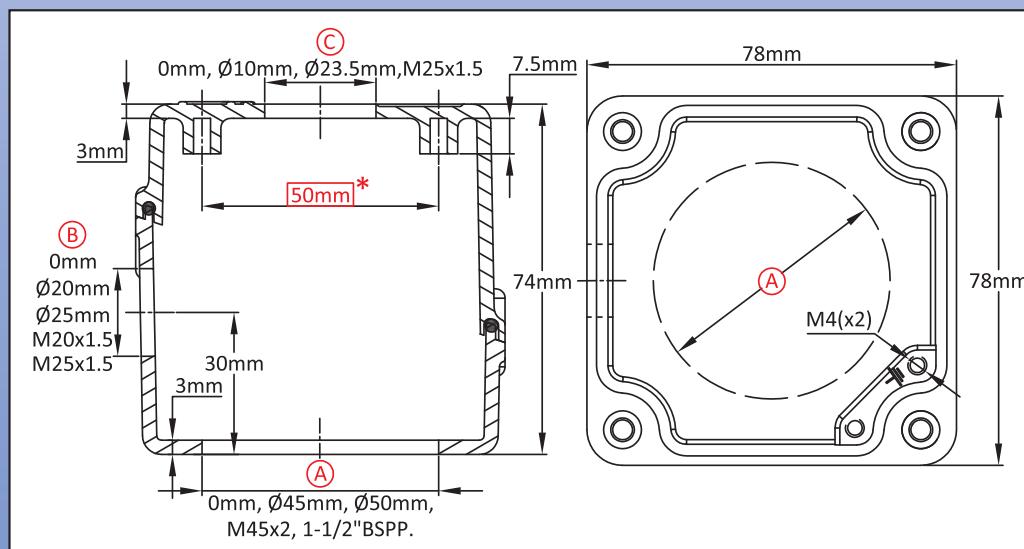
PDF 页
(.pdf)



2D 图纸
(.dwg)



3D 图纸
(.stp)



主要编号

(A) (mm)	(B) (mm)	(C) (mm)	没喷漆	喷漆	(A) (mm)	(B) (mm)	(C) (mm)	没喷漆	喷漆
0	0	0	Y304000000000007	Y30400000000000G	0	M20×1.5	0	Y30400001T000007	Y30400001T00000G
0	0	10	Y304000A00000007	Y304000A0000000G	0	M20×1.5	10	Y304000A1T000007	Y304000A1T00000G
0	0	23.5	Y304000D00000007	Y304000D0000000G	0	M20×1.5	23.5	Y304000D1T000007	Y304000D1T00000G
0	0	M25×1.5	Y304000F00000007	Y304000F0000000G	0	M20×1.5	M25×1.5	Y304000F1T000007	Y304000F1T00000G
0	20	0	Y304000012000007	Y30400001200000G	0	M25×1.5	0	Y30400001T500007	Y30400001T50000G
0	20	10	Y304000A12000007	Y304000A1200000G	0	M25×1.5	10	Y304000A1T500007	Y304000A1T50000G
0	20	23.5	Y304000D12000007	Y304000D1200000G	0	M25×1.5	23.5	Y304000D1T500007	Y304000D1T50000G
0	20	M25×1.5	Y304000F12000007	Y304000F1200000G	0	M25×1.5	M25×1.5	Y304000F1T500007	Y304000F1T50000G
0	25	0	Y304000012500007	Y30400001250000G	45	0	0	Y304450000000007	Y30445000000000G
0	25	10	Y304000A12500007	Y304000A1250000G	45	0	10	Y304450A00000007	Y304450A0000000G
0	25	23.5	Y304000D12500007	Y304000D1250000G	45	0	23.5	Y304450D00000007	Y304450D0000000G
0	25	M25×1.5	Y304000F12500007	Y304000F1250000G	45	0	M25×1.5	Y304450F00000007	Y304450F0000000G

这些编号是不包括电缆接头的，如果您想要，请咨询我们。
长方形框里的红色尺寸是用于组装附件。



因为我们的产品是永久不断改进的，数据表上使用的图纸，描述，特性只是引导而已，可以不经前提前通知进行更改。

用于浸入式加热器、液位传感器或温度传感器的外壳

Y304
(P2)

Ⓐ (mm)	Ⓑ (mm)	Ⓒ (mm)	没喷漆	喷漆	Ⓐ (mm)	Ⓑ (mm)	Ⓒ (mm)	没喷漆	喷漆
45	20	0	Y304450012000007	Y30445001200000G	M45×2	0	23.5	Y304M45D00000007	Y304M45D0000000G
45	20	10	Y304450A12000007	Y304450A1200000G	M45×2	0	M25×1.5	Y304M45F00000007	Y304M45F0000000G
45	20	23.5	Y304450D12000007	Y304450D1200000G	M45×2	20	0	Y304M45012000007	Y304M4501200000G
45	20	M25×1.5	Y304450F12000007	Y304450F1200000G	M45×2	20	10	Y304M45A12000007	Y304M45A1200000G
45	25	0	Y304450012500007	Y30445001250000G	M45×2	20	23.5	Y304M45D12000007	Y304M45D1200000G
45	25	10	Y304450A12500007	Y304450A1250000G	M45×2	20	M25×1.5	Y304M45F12000007	Y304M45F1200000G
45	25	23.5	Y304450D12500007	Y304450D1250000G	M45×2	25	0	Y304M45012500007	Y304M4501250000G
45	25	M25×1.5	Y304450F12500007	Y304450F1250000G	M45×2	25	10	Y304M45A12500007	Y304M45A1250000G
45	M20×1.5	0	Y30445001T000007	Y30445001T00000G	M45×2	25	23.5	Y304M45D12500007	Y304M45D1250000G
45	M20×1.5	10	Y304450A1T000007	Y304450A1T00000G	M45×2	25	M25×1.5	Y304M45F12500007	Y304M45F1250000G
45	M20×1.5	23.5	Y304450D1T000007	Y304450D1T00000G	M45×2	M20×1.5	0	Y304M4501T000007	Y304M4501T00000G
45	M20×1.5	M25×1.5	Y304450F1T000007	Y304450F1T00000G	M45×2	M20×1.5	10	Y304M45A1T000007	Y304M45A1T00000G
45	M25×1.5	0	Y30445001T500007	Y30445001T50000G	M45×2	M20×1.5	23.5	Y304M45D1T000007	Y304M45D1T00000G
45	M25×1.5	10	Y304450A1T500007	Y304450A1T50000G	M45×2	M20×1.5	M25×1.5	Y304M45F1T000007	Y304M45F1T00000G
45	M25×1.5	23.5	Y304450D1T500007	Y304450D1T50000G	M45×2	M25×1.5	0	Y304M4501T500007	Y304M4501T50000G
45	M25×1.5	M25×1.5	Y304450F1T500007	Y304450F1T50000G	M45×2	M25×1.5	10	Y304M45A1T500007	Y304M45A1T50000G
50	0	0	Y304500000000007	Y30450000000000G	M45×2	M25×1.5	23.5	Y304M45D1T500007	Y304M45D1T50000G
50	0	10	Y304500A00000007	Y304500A0000000G	M45×2	M25×1.5	M25×1.5	Y304M45F1T500007	Y304M45F1T50000G
50	0	23.5	Y304500D00000007	Y304500D0000000G	1½" BSPP	0	0	Y304BA2000000007	Y304BA200000000G
50	0	M25×1.5	Y304500F00000007	Y304500F0000000G	1½" BSPP	0	10	Y304BA2A00000007	Y304BA2A0000000G
50	20	0	Y304500012000007	Y30450001200000G	1½" BSPP	0	23.5	Y304BA2D00000007	Y304BA2D0000000G
50	20	10	Y304500A12000007	Y304500A1200000G	1½" BSPP	0	M25×1.5	Y304BA2F00000007	Y304BA2F0000000G
50	20	23.5	Y304500D12000007	Y304500D1200000G	1½" BSPP	20	0	Y304BA2012000007	Y304BA201200000G
50	20	M25×1.5	Y304500F12000007	Y304500F1200000G	1½" BSPP	20	10	Y304BA2A12000007	Y304BA2A1200000G
50	25	0	Y304500012500007	Y30450001250000G	1½" BSPP	20	23.5	Y304BA2D12000007	Y304BA2D1200000G
50	25	10	Y304500A12500007	Y304500A1250000G	1½" BSPP	20	M25×1.5	Y304BA2F12000007	Y304BA2F1200000G
50	25	23.5	Y304500D12500007	Y304500D1250000G	1½" BSPP	25	0	Y304BA2012500007	Y304BA201250000G
50	25	M25×1.5	Y304500F12500007	Y304500F1250000G	1½" BSPP	25	10	Y304BA2A12500007	Y304BA2A1250000G
50	M20×1.5	0	Y30450001T000007	Y30450001T00000G	1½" BSPP	25	23.5	Y304BA2D12500007	Y304BA2D1250000G
50	M20×1.5	10	Y304500A1T000007	Y304500A1T00000G	1½" BSPP	25	M25×1.5	Y304BA2F12500007	Y304BA2F1250000G
50	M20×1.5	23.5	Y304500D1T000007	Y304500D1T00000G	1½" BSPP	M20×1.5	0	Y304BA201T000007	Y304BA201T00000G
50	M20×1.5	M25×1.5	Y304500F1T000007	Y304500F1T00000G	1½" BSPP	M20×1.5	10	Y304BA2A1T000007	Y304BA2A1T00000G
50	M25×1.5	0	Y30450001T500007	Y30450001T50000G	1½" BSPP	M20×1.5	23.5	Y304BA2D1T000007	Y304BA2D1T00000G
50	M25×1.5	10	Y304500A1T500007	Y304500A1T50000G	1½" BSPP	M20×1.5	M25×1.5	Y304BA2F1T000007	Y304BA2F1T00000G
50	M25×1.5	23.5	Y304500D1T500007	Y304500D1T50000G	1½" BSPP	M25×1.5	0	Y304BA201T500007	Y304BA201T50000G
50	M25×1.5	M25×1.5	Y304500F1T500007	Y304500F1T50000G	1½" BSPP	M25×1.5	10	Y304BA2A1T500007	Y304BA2A1T50000G
M45×2	0	0	Y304M45000000007	Y304M4500000000G	1½" BSPP	M25×1.5	23.5	Y304BA2D1T500007	Y304BA2D1T50000G
M45×2	0	10	Y304M45A00000007	Y304M45A0000000G	1½" BSPP	M25×1.5	M25×1.5	Y304BA2F1T500007	Y304BA2F1T50000G

因为我们的产品是永久不断改进的，数据表上使用的图纸，描述，特性只是引导而已，可以不经提前通知进行更改。

